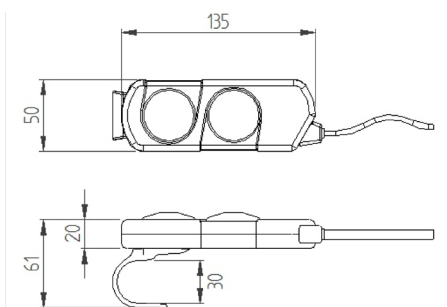




- ▶ **Large soft buttons**
- ▶ **Ergonomic design for comfort**
- ▶ **Light operating force**
- ▶ **Lightweight**
- ▶ **Waterproof**

Specifications	
Standards/approvals	Low voltage directive 2014/35/EU
Degree of protection	EN 60529 IP67
Connection method	Various connectors or free wire ends
Electrical rating	24V 3A
Contact configuration	Normally open
Pressure range	n/a
Operating temp. range	-5 to +40°C
Body material	Thermoplastic
Weight	0.4 kg
Additional information	Various attachment methods and labels available

Dimensions





Ordering information

(Please use the characters in the chart below to create your product code)

Example Code 6271 - A A A A - A ZZZ

Fixtures

A	No hook fitted
B	Hook fitted
C	Suction Cup

Labels

A	No Label fitted
B	Herga Label
C	Arrows
D	Bed up/down
E	Head up/down
F	Legs up/down

Buttons*

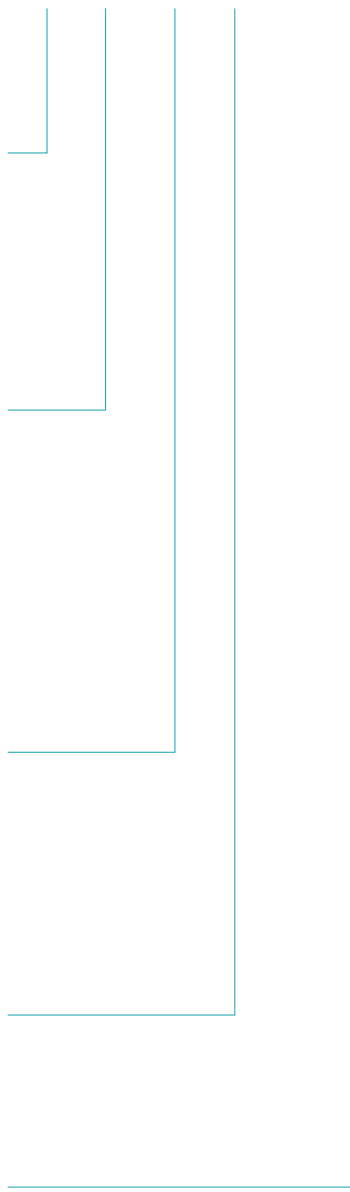
A	Grey
B	Blue
C	Grey (Arrows)
D	Blue (Arrows)
E	Grey (+ & -)
F	Blue (+ & -)
G	Grey (Waves)
H	Blue (Waves)

Cable

A	Straight 2m
B	Curly coil 2,4m

Connectors

A	8 Pin Din (Round)
B	9 Pin Sub - D
C	Free wire ends



* Customised designs are possible

If you require a customized solution for your program contact our sales team.