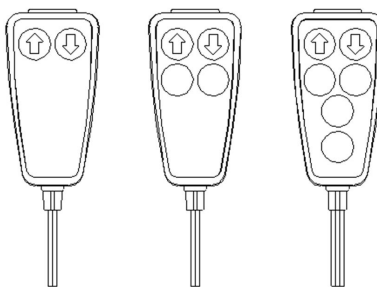
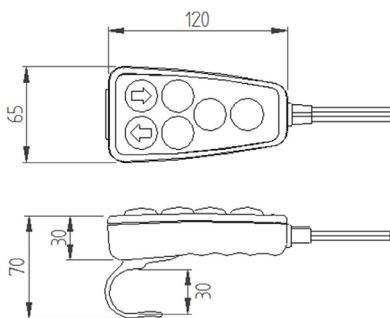


Spezifikationen	
Standards/approvals	n/a
Degree of protection	n/a
Connection method	1.5mm I/D tube for use with airswitches with 2mm spouts
Pressure range	n/a
Operating temperature	-5°C to + 40°C
Body material	Thermoplastic
Weight	0.15 Kg
Additional information	various button colours and designs available, hook optional

Dimensions



Additional informationen

- ▶ **Body available in grey or black**
- ▶ **Button colour options**
- ▶ **Choice of curly coil & straight tubing**
- ▶ **Plain or arrow button options**
- ▶ **Connector options**