



Handset A



Handset B
3 button



Handset B
6 button



Handset B
10 button



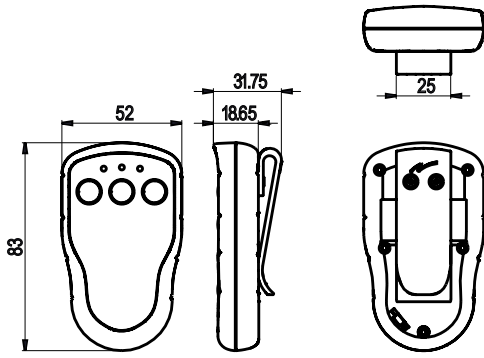
Handset C

- ▶ **Wireless controls operating on 2.4GHz ,16 channels**
- ▶ **1-10 buttons**
- ▶ **Momentary switches as standard, latching available on request**
- ▶ **5 or 11 relay 12/24V DC receivers (IP66)**
- ▶ **Standard range 30-40 metres**
- ▶ **Simple pairing set up**
- ▶ **Additional transmitters can be connected to 1 receiver**
- ▶ **Operates with standard AAA batteries (Handsets A & B) Rechargeable li-ion (Handset C)**
- ▶ **Operating Temperature -20°C to +55°C**
- ▶ **Transmitters rated IP66/7**
- ▶ **Customised overlays available for OEMs**

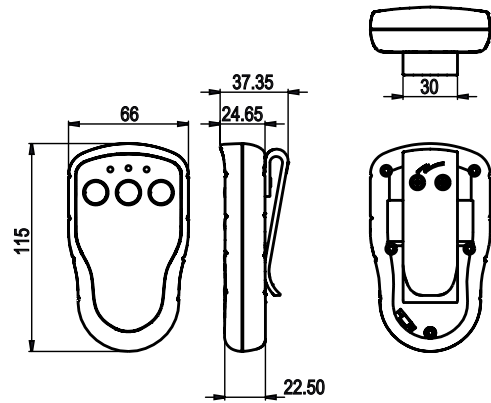


Dimensions

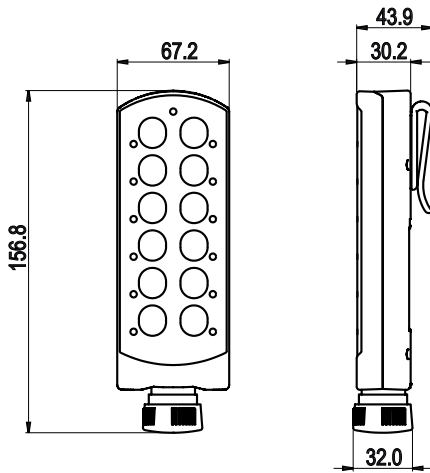
Handset A



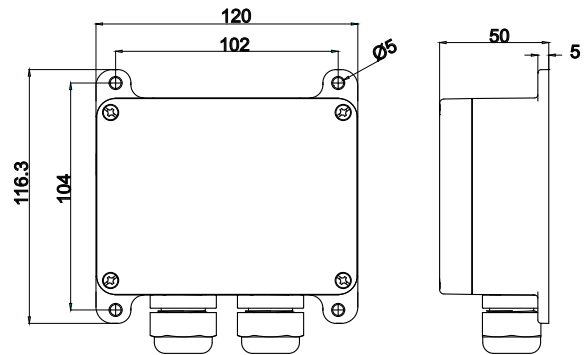
Handset B



Handset C



Control Box





Ordering information

(Please use the characters in the chart below to create your product code)

Sample Code 6313 - A 3 A Z - 000

Handset Style

A	Handset A (see above)
B	Handset B (see above)
C	Handset C (see above)

Number of Buttons

3	3 Buttons
6	6 Buttons
8	8 Buttons
10	10 Buttons

Operating Mode

A	Continuous mode
B	Discontinuous mode (unavailable for Handset C)

Sample Code 6314 - A A ZZ

Receiver - Relays

A	5 Relay
B	11 Relay

Programming Mode

A	Continuous mode, interlocking switches, momentary action
B	Continuous mode, non - interlocking switches, momentary action
C	Discontinuous mode, interlocking switches, momentary action
D	Discontinuous mode, non - interlocking switches, momentary action

Definitions

In discontinuous mode the handcontrol only transmits when a button is pressed whereas in continuous mode the handcontrol constantly transmits while it is turned on. Use of continuous mode allows the receiver to always be aware of the status of the handcontrol which can enable the use of more advanced features.

Interlocking – Allows only one button to be switched at any one time.

If you require a customized solution for your program contact our sales team.