

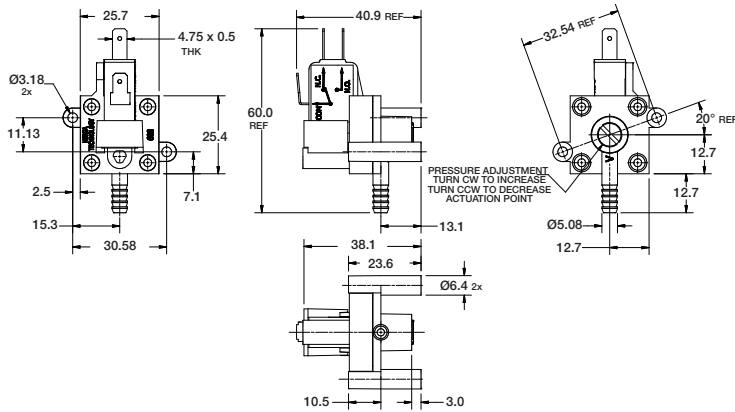
- ▶ Vacuum switching to very high sensitivity
- ▶ Factory set or adjustable actuation setpoint
- ▶ Optional Gold contacts for optimum performance on lower voltage/current applications
- ▶ Miniature size - ideal for OEM applications
- ▶ Large choice of form factors for maximum installation flexibility
- ▶ Long life with high reliability
- ▶ UL approved

Specifications	
Actuation pressure / Setpoint tolerance	See detailed information below
Switch type	Single pole, double throw
Contact voltage	Standard 125/250 VAC / Gold contact option 125 VAC
Current rating	3A, 5A, 10A or 15A depending on switch range / Gold Contact option 0.1A (Note: Range A is 3A, B is 5A, C is 10A and D is 15A as standard)
Contact resistance	1Ω max.
Proof pressure	See detailed information below
Material	Thermoplastic case, Urethane diaphragm
Mechanical life	10 x 10 ⁶ cycles
Temperature range	+4°C to +65°C, Some setpoint deviation may occur throughout the temperature range. For increased temperature range of -40 to +96 °C contact us
Approval	UL508 approved. File number NKPZ8.E41523

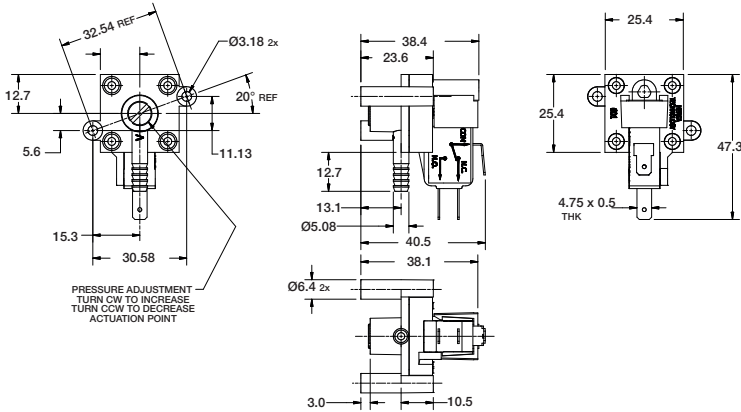


Dimensions

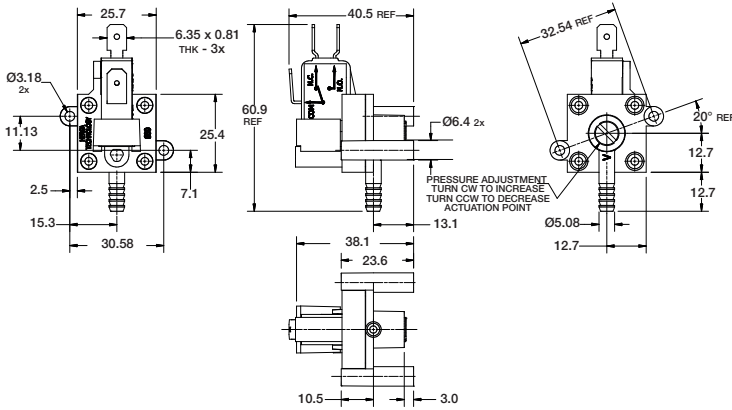
Form 1 -
HPS-600 - V



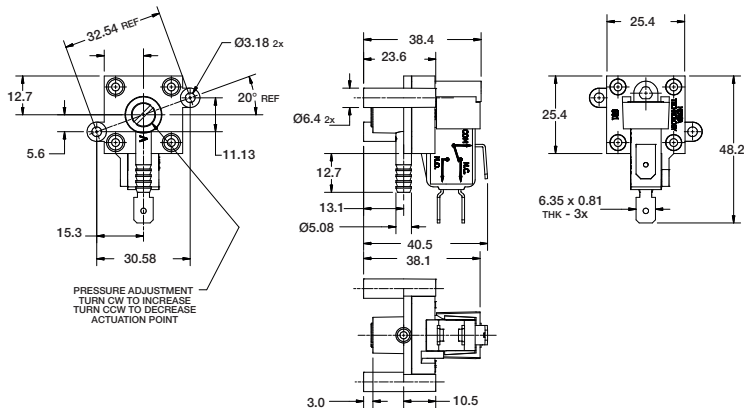
Form 2
HPS-601 - V







Form 3 -
HPS-600 - V - GOLD



Form 4 -
HPS-601 - V - GOLD



Order informationen

Modelle Part Number	Form Factor	Üressure Range	Setpoint tolerance	Proof Pressure
HPS-600-V Range - A	 Form 1	5 bis 20 mbar [2" bis 8" H2O]	± 20%	1,0 bar [14,7 PSI]
HPS-600-V Range - B		20 bis 37 mbar [8" bis 15" H2O]	± 20%	1,0 bar [14,7 PSI]
HPS-600-V Range - C		37 bis 189 mbar [15" bis 76" H2O]	± 20%	1,0 bar [14,7 PSI]
HPS-600-V Range - D		189 bis 964 mbar [76" bis 387" H2O]	± 20%	1,0 bar [14,7 PSI]
HPS-601-V Range - A	 Form 2	5 bis 20 mbar [2" bis 8" H2O]	± 20%	1,0 bar [14,7 PSI]
HPS-601-V Range - B		20 bis 37 mbar [8" bis 15" H2O]	± 20%	1,0 bar [14,7 PSI]
HPS-601-V Range - C		37 bis 189 mbar [15" bis 76" H2O]	± 20%	1,0 bar [14,7 PSI]
HPS-601-V Range - D		189 bis 964 mbar [76" bis 387" H2O]	± 20%	1,0 bar [14,7 PSI]
HPS-600-V Range - A - GOLD	 Form 3	5 bis 20 mbar [2" bis 8" H2O]	± 20%	1,0 bar [14,7 PSI]
HPS-600-V Range - B - GOLD		20 bis 37 mbar [8" bis 15" H2O]	± 20%	1,0 bar [14,7 PSI]
HPS-600-V Range - C - GOLD		37 bis 189 mbar [15" bis 76" H2O]	± 20%	1,0 bar [14,7 PSI]
HPS-600-V Range - D - GOLD		189 bis 964 mbar [76" bis 387" H2O]	± 20%	1,0 bar [14,7 PSI]
HPS-601-V Range - A - GOLD	 Form 4	5 bis 20 mbar [2" bis 8" H2O]	± 20%	1,0 bar [14,7 PSI]
HPS-601-V Range - B - GOLD		20 bis 37 mbar [8" bis 15" H2O]	± 20%	1,0 bar [14,7 PSI]
HPS-601-V Range - C - GOLD		37 bis 189 mbar [15" bis 76" H2O]	± 20%	1,0 bar [14,7 PSI]
HPS-601-V Range - D - GOLD		189 bis 964 mbar [76" bis 387" H2O]	± 20%	1,0 bar [14,7 PSI]

Wenn Sie eine kundenspezifische Lösung für Ihr Programm benötigen, wenden Sie sich an unser Vertriebsteam.